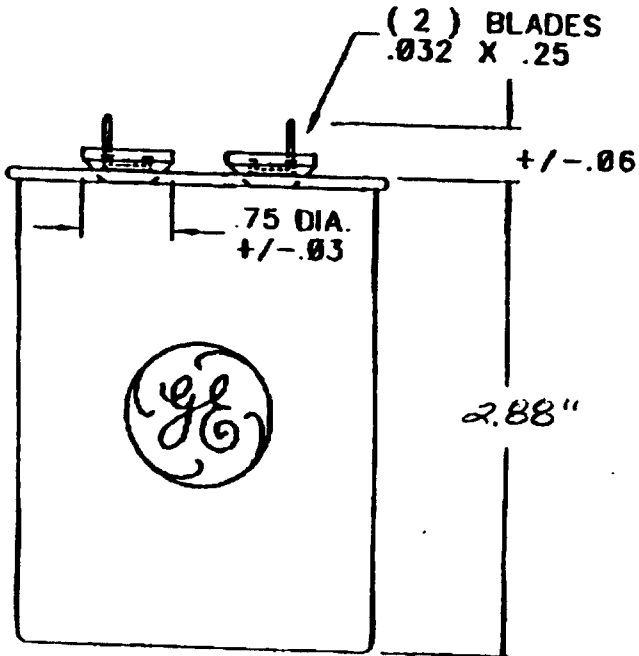
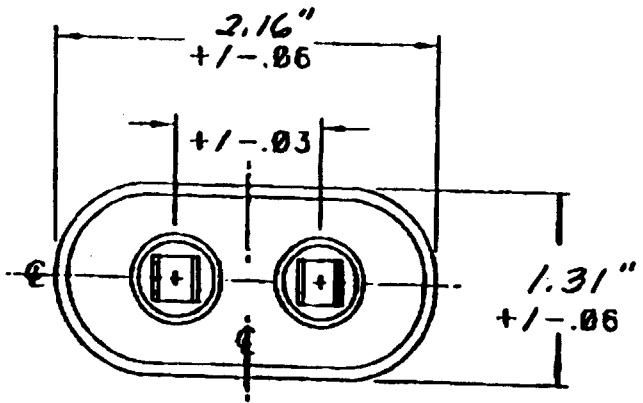


A28F5668



Prepared for:

Date:

VOLTS	uf	Hz	Ph
660 AC	.47	60	/